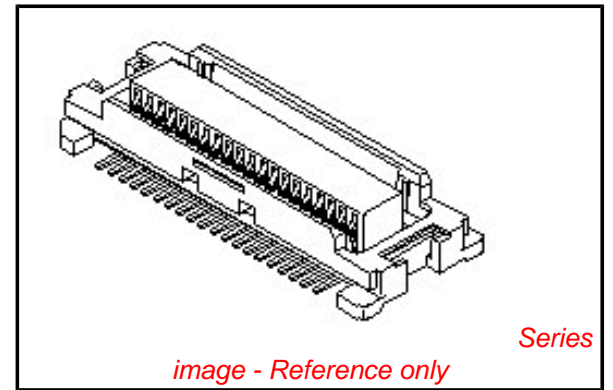


PLEASE CHECK WWW.MOLEX.COM FOR LATEST PART INFORMATION

Part Number: **0541670208**
Status: **Active**
Description: 0.50mm (.020") Pitch SlimStack™ Receptacle, Surface Mount, Dual Row, Vertical, 3.00 and 4.00mm (.118" and .157") Stacking Heights, Lower Circuit Size Version, Black, 20 Circuits

Documents:

3D Model	Product Specification PS-54167-002 (PDF)
Drawing (PDF)	Product Specification PS-54167-003 (PDF)
Product Specification PS-52991-003 (PDF)	RoHS Certificate of Compliance (PDF)



General

Product Family	PCB Receptacles
Series	54167
Application	Board-to-Board
Product Name	SlimStack™

Physical

Circuits (Loaded)	20
Glow-Wire Compliant	No
Mated Height (in)	0.118 In, 0.157 In
Mated Height (mm)	3.00 mm, 4.00 mm
Material - Plating Mating	Gold
Material - Plating Termination	Gold
Number of Rows	2
Orientation	Vertical
PCB Locator	No
PCB Retention	None
Packaging Type	Embossed Tape on Reel
Pitch - Mating Interface (in)	0.020 In
Pitch - Mating Interface (mm)	0.50 mm
Plating min: Mating (µin)	4
Plating min: Mating (µm)	0.1
Plating min: Termination (µin)	10
Plating min: Termination (µm)	0.25
Polarized to PCB	No
Surface Mount Compatible (SMC)	N/A
Temperature Range - Operating	-40°C to +105°C
Termination Interface: Style	Surface Mount

Electrical

Current - Maximum per Contact	0.5A
Voltage - Maximum	50V

Material Info

Reference - Drawing Numbers

Product Specification	PS-52991-003, PS-54167-002, PS-54167-003, RPS-52991-009, RPS-52991-014, RPS-52991-019
Sales Drawing	SD-54167-001, SD-54167-002

EU RoHS

ELV and RoHS Compliant
REACH SVHC
 Not Reviewed
Halogen-Free Status

China RoHS



Need more information on product environmental compliance?

Email productcompliance@molex.com
 For a multiple part number RoHS Certificate of Compliance, [click here](#)

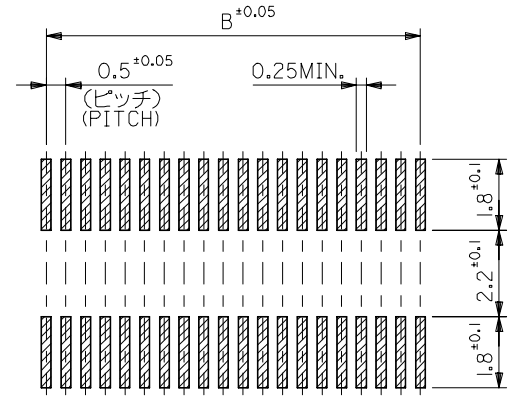
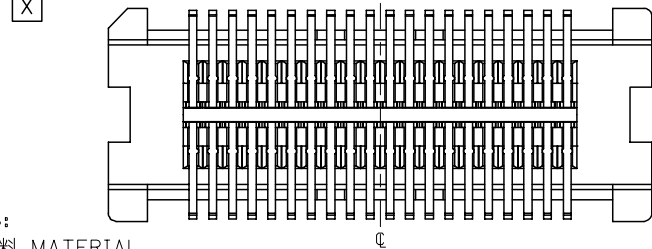
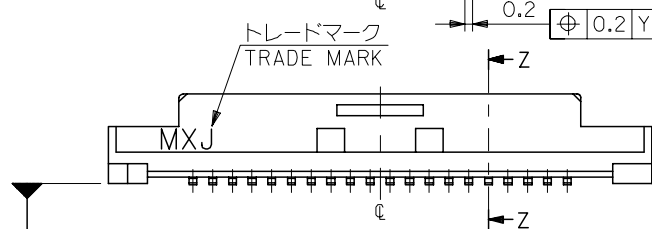
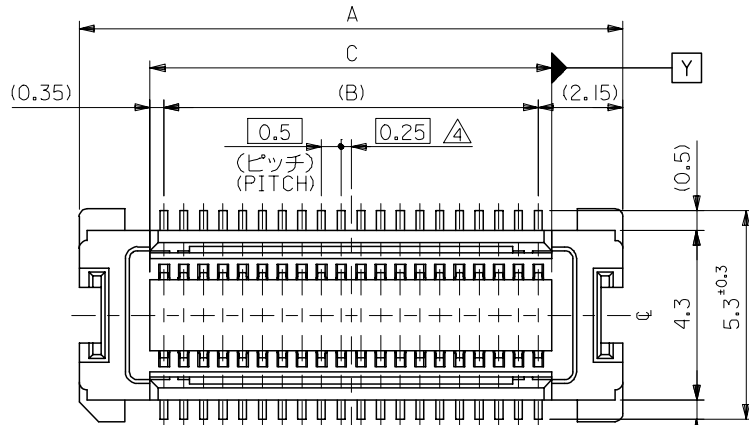
Please visit the [Contact Us](#) section for any non-product compliance questions.

Search Parts in this Series

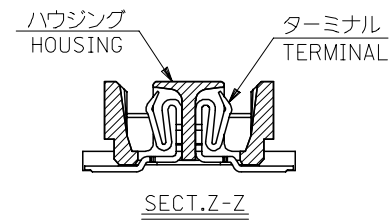
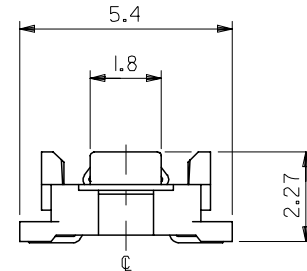
54167Series

Mates With

53916 , 53748



参考基板レイアウト (マウント面)
P.C. BOARD PATTERN
DIMENSION. (REF.)
(MOUNTING AREA)

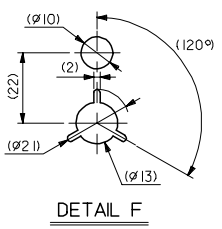
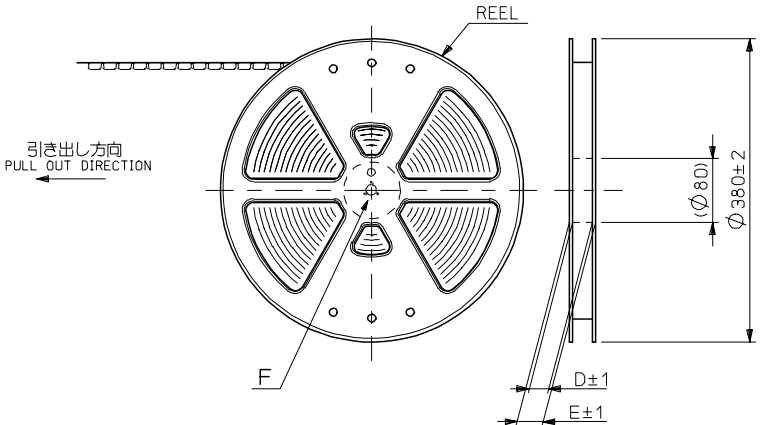


注記 NOTES:

1. 使用材料 MATERIAL
ハウジング: LCPガラス入り (黒) UL94V-0
HOUSING: LCP(G.F.)(COLOR :BLACK),
UL94V-0
ターミナル: リン青銅 (t=0.15)
TERMINAL: PHOSPHOR BRONZE (t=0.15)
2. メッキ仕様 PLATING
全体仕上げ: 金メッキ 0.1 MICROMETER MIN.
ALL OVER : GOLD 0.1 MICROMETER MIN.
下地メッキ: ニッケルメッキ 1.5 MICROMETER MIN.
UNDER PLATING : NICKEL 1.5 MICROMETER MIN.
3. 基準面 [X] からのソルダーテールの半田付け面のズレ量は、上方向 0、
下方向 0.15MAX. とする。
MISALIGNMENT OF SOLDER TAIL FROM [X]
: UPPER DIRECTION 0, LOWER DIRECTION 0.15 MAX.
△ (全極数/2) = 偶数の場合に適用。
APPLY FOR (CIRCUIT/2)=EVEN.
- 5 嵌合相手: 53748 シリーズ, 53916 シリーズ, 502280 シリーズ
MATE WITH : 53748 SERIES, 53916 SERIES, 502280 SERIES.
- 6 テール平坦度は、0.IMAX.
TAIL COPLANARITY TO BE 0.IMAX.

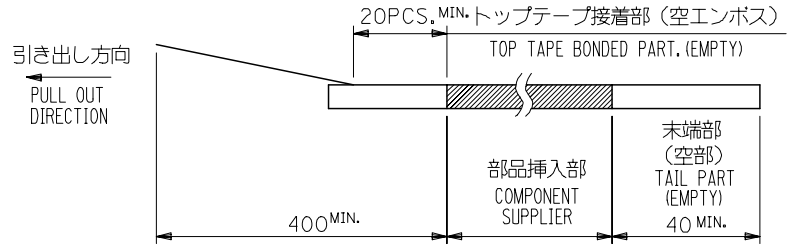
20.2	19.5	23.8	54167-0801	80
17.7	17.0	21.3	-0701	70
15.2	14.5	18.8	-0601	60
12.7	12.0	16.3	-0501	50
10.2	9.5	13.8	-0401	40
7.7	7.0	11.3	-0301	30
5.2	4.5	8.8	54167-0201	20
C	B	A	MATERIAL NO.	極数 CIRCUIT

REVISED EC NO: J2007-0273 DRWN: TENAGASE 2006/07/28 CHKD: THARUYAMA 2006/08/03 APPR: NUKITA 2006/08/07	GENERAL TOLERANCES (UNLESS SPECIFIED)		DIMENSION STYLE MM ONLY		SCALE ---	DESIGN UNITS METRIC	THIRD ANGLE PROJECTION
	10 UNDER	±0.2	DRAWN BY S. AIHARA	DATE '96/11/28	TITLE 0.5 B/B CONN REC HSG ASSY(W/O BOSS, W/O NAIL) -LEAD FREE-		
	10 OVER 30 UNDER	±0.25	CHECKED BY M. SASAO	DATE '01/12/26	MOLEX INCORPORATED		
	30 OVER	±0.3	APPROVED BY M. SASAO	DATE '01/12/26	DOCUMENT NO. SD-54167-001	SHEET NO. 1 OF 1	
	ANGULAR	±3 °	MATERIAL NO. SEE CHART		THIS DRAWING CONTAINS INFORMATION THAT IS PROPRIETARY TO MOLEX INCORPORATED AND SHOULD NOT BE USED WITHOUT WRITTEN PERMISSION		
	DRAFT WHERE APPLICABLE MUST REMAIN WITHIN DIMENSIONS		SIZE A3				

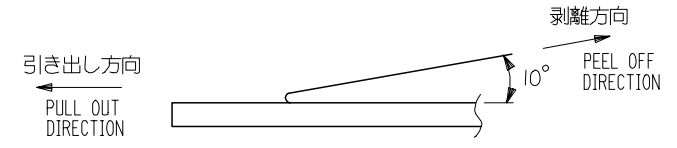


NOTES

- 製品詳細寸法については図面 SD-54167-001 を参照下さい。
RE DETAILED DIMENSION, SEE SD-54167-001
- 梱包数量：3000個/リール
NUMBER OF CONNECTORS : 3000PCS/REEL
- リードテープ長さ LEAD TAPE LENGTH



- トップテープの剥離強度：0.1N~1.3 (10gf~130gf) (剥離方向は下図参照)
尚、本規格値は出荷時に適用。(但し、輸送時に剥離が発生しないこと。)
PEELING OFF FORCE OF TOP TAPE : 0.1N~1.3 (10gf~130gf)
(PEELING DIRECTION AS SHOWN IN FOLLOWING FIG.)
THIS REQUIREMENT SHOULD BE APPLIED AT SHIPMENT.
PEEL OFF SHOULD NOT BE ALLOWED , DURING TRANSPORTATION.



- 材料(MATERIAL)
キャリアテープ(CARRIER TAPE) : ポリプロピレン(POLYPROPYLENE)
トップテープ(TOPTAPE) : PET , PE , PEF
リール(REEL) : ポリスチレン (PS) <リサイクル材を含む>
POLYSTYREN(PS) <RECYCLE MATERIAL CONTAINED>

54167***8 MODEL NO.

REVISED EC NO: J2006-0604 DRW:NAIDA 2005/08/31 CHKD:KTOYODA 2005/09/01 APPR:NUKITA 2005/09/09	GENERAL TOLERANCES (UNLESS SPECIFIED)		DIMENSION STYLE MM ONLY		SCALE ---	DESIGN UNIT'S METRIC	THIRD ANGLE PROJECTION	
	10 UNDER	±0.2	DRAWN BY S. AIHARA	DATE '96/11/25	TITLE 0.5 B/B CONN REC HSG ASSY EMBSTP PKG -LEAD FREE-			
	10 OVER 30 UNDER	±0.25	CHECKED BY T. ITO	DATE '00/12/06	MOLEX INCORPORATED			
	30 OVER	±0.3	APPROVED BY M. FUKUSHIMA	DATE '00/12/06	DOCUMENT NO. SD-54167-002		SHEET NO. 1 OF 6	
	ANGULAR	±3 °	MATERIAL NO. SEE CHART					
DRAFT WHERE APPLICABLE MUST REMAIN WITHIN DIMENSIONS		SIZE A3		THIS DRAWING CONTAINS INFORMATION THAT IS PROPRIETARY TO MOLEX INCORPORATED AND SHOULD NOT BE USED WITHOUT WRITTEN PERMISSION				

10 9 8 7 6 5 4 3 2 1

F

F

E

E

D

D

C

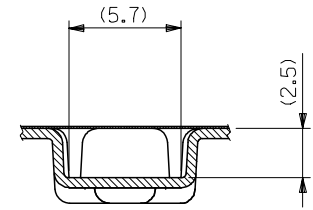
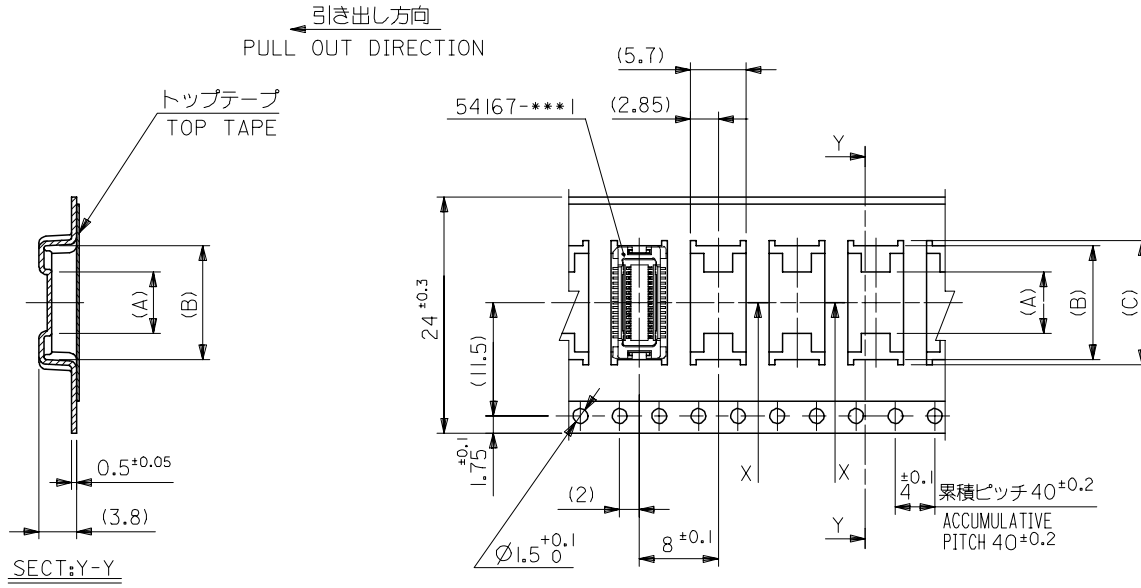
C

B

B

A

A



SECT:X-X

24mm幅キャリアテープ
24mm WIDTH CARRIER TAPE

24	29.4	25.4	15.1	14.1	7.4	54167-0408	40
			12.6	11.6	4.9	54167-0308	30
キャリアテープ幅 CARRIER TAPE WIDTH			E	D	(C)	(B)	(A)
						MATERIAL NO.	極数 CIRCUIT

REVISED EC NO: J2006-0604 DRW:NAIDA 2005/08/31 CHK:KTOYODA 2005/09/01 APP:NUKITA 2005/09/09	54167***8 MODEL NO.		DIMENSION STYLE MM ONLY		SCALE ---	DESIGN UNITS METRIC	THIRD ANGLE PROJECTION	
	GENERAL TOLERANCES (UNLESS SPECIFIED)		DRAWN BY S. AIHARA	DATE '97/05/09	TITLE 0.5 B/B CONN REC HSG ASSY EMBSTP PKG -LEAD FREE-			
	10 UNDER	± ---	CHECKED BY T. ITO	DATE '00/12/06	APPROVED BY M. FUKUSHIMA			
	10 OVER 30 UNDER	± ---	APPROVED BY M. FUKUSHIMA		DATE '00/12/06	MOLEX INCORPORATED		
30 OVER	± ---	ANGULAR		± --- °	DOCUMENT NO. SD-54167-002			
DRAFT WHERE APPLICABLE MUST REMAIN WITHIN DIMENSIONS		SEE CHART		SHEET NO. 3 OF 6				
SIZE A3 THIS DRAWING CONTAINS INFORMATION THAT IS PROPRIETARY TO MOLEX INCORPORATED AND SHOULD NOT BE USED WITHOUT WRITTEN PERMISSION								

9

8

7

6

5

4

3

2

10 9 8 7 6 5 4 3 2 1

F

E

D

C

B

A

F

E

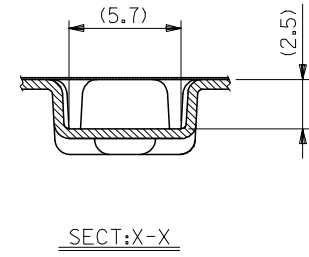
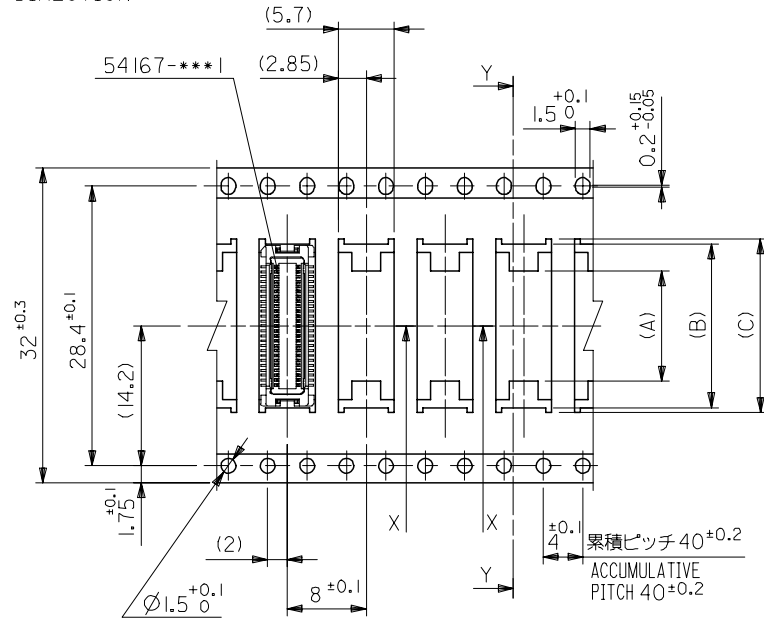
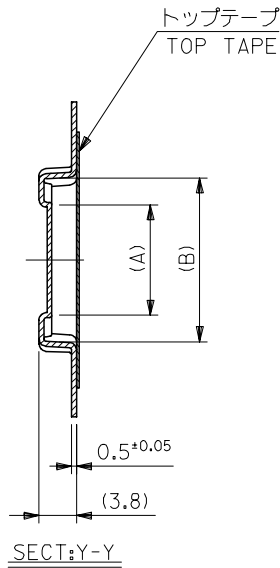
D

C

B

A

引き出し方向
PULL OUT DIRECTION



32mm幅キャリアテープ
32mm WIDTH CARRIER TAPE

REVISED EC NO: J2006-0604 DRW:NAIDA 2005/08/31 CHKD:TOYODA 2005/09/01 APPR:NUKITA 2005/09/09	54167***8 MODEL NO.		32	37.4	33.4	17.6	16.6	11.2	54167-0508	50
	GENERAL TOLERANCES (UNLESS SPECIFIED)		キャリアテープ幅 CARRIER TAPE WIDTH	E	D	(C)	(B)	(A)	MATERIAL NO.	極数 CIRCUIT
	10 UNDER ± ---		DIMENSION STYLE MM ONLY		SCALE ---		DESIGN UNITS METRIC		THIRD ANGLE PROJECTION	
	10 OVER 30 UNDER ± ---		DRAWN BY S. AIHARA		DATE '96/11/25		TITLE 0.5 B/B CONN REC HSG ASSY EMBSTP PKG -LEAD FREE-			
30 OVER ± ---		CHECKED BY T. ITO		DATE '00/12/06		MOLEX INCORPORATED				
ANGULAR ± --- °		APPROVED BY M. FUKUSHIMA		DATE '00/12/06		DOCUMENT NO. SD-54167-002				
DRAFT WHERE APPLICABLE MUST REMAIN WITHIN DIMENSIONS		MATERIAL NO. SEE CHART		DATE		SHEET NO. 4 OF 6				
		SIZE A3		THIS DRAWING CONTAINS INFORMATION THAT IS PROPRIETARY TO MOLEX INCORPORATED AND SHOULD NOT BE USED WITHOUT WRITTEN PERMISSION						

9

8

7

6

5

4

3

2

10 9 8 7 6 5 4 3 2 1

F

E

D

C

B

A

F

E

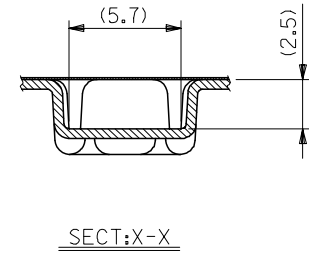
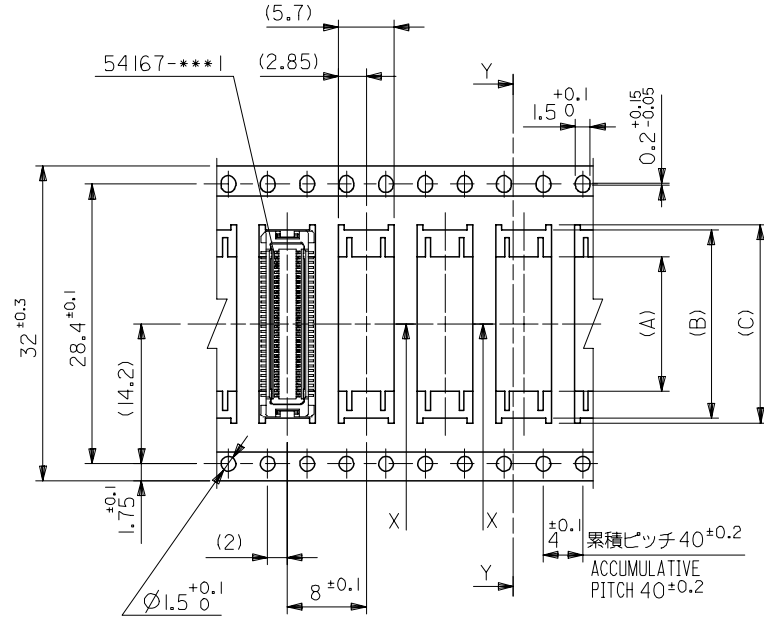
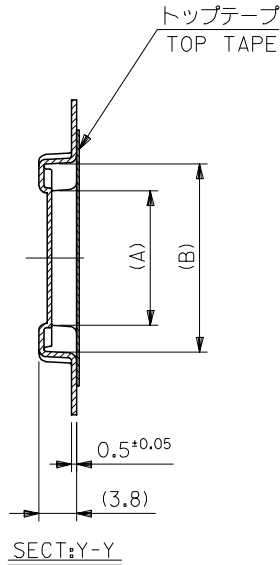
D

C

B

A

引き出し方向
PULL OUT DIRECTION



32mm幅キャリアテープ
32mm WIDTH CARRIER TAPE

REVISED	EC NO: J2006-0604	2005/08/31	DRW:NAIDA	2005/09/01	CHK:KTOYODA	2005/09/01	APP:NUKITA	2005/09/09
DESCRIPTION	54167***8 MODEL NO.							
REV	GENERAL TOLERANCES (UNLESS SPECIFIED)							
	10 UNDER	± ---	DIMENSION STYLE					
	10 OVER	30 UNDER	± ---	MM ONLY				SCALE
	30 OVER	± ---	ANGULAR ±1 °				DESIGN UNITS	THIRD ANGLE PROJECTION
	DRAFT WHERE APPLICABLE MUST REMAIN WITHIN DIMENSIONS			DRAWN BY		DATE	TITLE	
				T. YASUI		'97/05/14	0.5 B/B CONN REC HSG	
				CHECKED BY		DATE	ASSY EMBSTP PKG	
				T. ITO		'00/12/06	-LEAD FREE-	
				APPROVED BY		DATE	MOLEX INCORPORATED	
				M. FUKUSHIMA		'00/12/06	MOLEX INCORPORATED	
				MATERIAL NO.		DOCUMENT NO.	SHEET NO.	
				SEE CAHRT		SD-54167-002	5 OF 6	
	THIS DRAWING CONTAINS INFORMATION THAT IS PROPRIETARY TO MOLEX INCORPORATED AND SHOULD NOT BE USED WITHOUT WRITTEN PERMISSION							

9

8

7

6

5

4

3

2

10 9 8 7 6 5 4 3 2 1

F

E

D

C

B

A

F

E

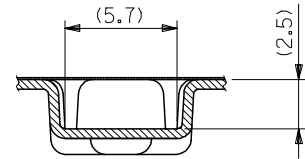
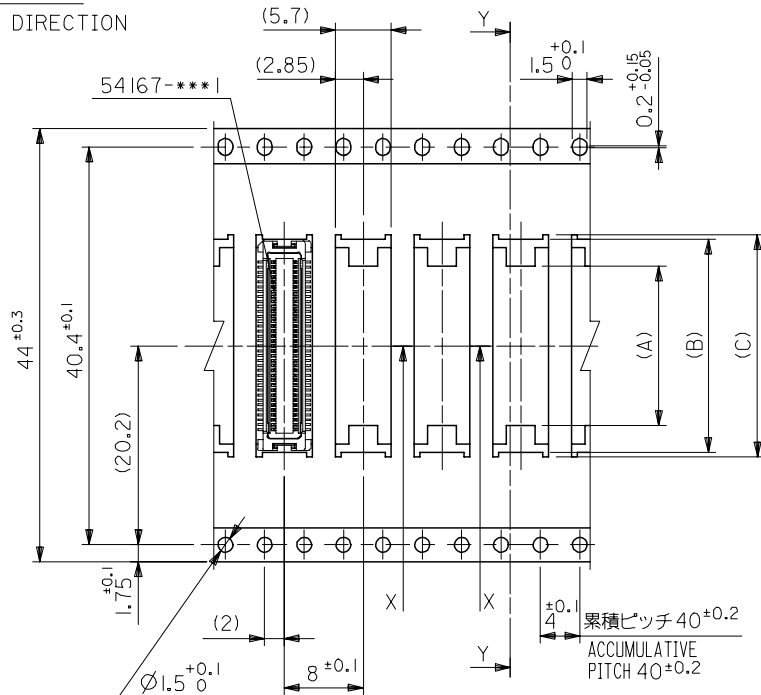
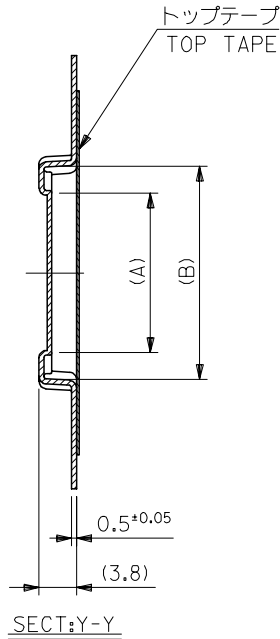
D

C

B

A

引き出し方向
PULL OUT DIRECTION



SECT:X-X

44mm幅キャリアテープ
44mm WIDTH CARRIER TAPE

REVISED	EC NO: J2006-0604	2005/08/31	DRWN:NAIDA	2005/09/01	CHKD:KTOYODA	2005/09/09	APPR:NUKITA	DESCRIPTION	54167***8	MODEL NO.	44	49.4	45.4	25.1	24.1	17.5	54167-0808	80										
								GENERAL TOLERANCES (UNLESS SPECIFIED)			キャリアテープ幅 CARRIER TAPE WIDTH	E	D	(C)	(B)	(A)	MATERIAL NO.	極数 CIRCUIT										
								10 UNDER ± ---			DIMENSION STYLE MM ONLY		SCALE ---	DESIGN UNITS METRIC		THIRD ANGLE PROJECTION												
								10 OVER 30 UNDER ± ---			DRAWN BY S. AIHARA	DATE '98/10/23	TITLE 0.5 B/B CONN REC HSG ASSY EMBSTP PKG -LEAD FREE-															
								30 OVER ± ---			CHECKED BY T. ITO	DATE '00/12/06	MOLEX INCORPORATED															
								ANGULAR ± --- °			APPROVED BY M. FUKUSHIMA	DATE '00/12/06	DOCUMENT NO. SD-54167-002		SHEET NO. 6 OF 6													
								DRAFT WHERE APPLICABLE MUST REMAIN WITHIN DIMENSIONS			MATERIAL NO. SEE CHART																	
											SIZE A3	THIS DRAWING CONTAINS INFORMATION THAT IS PROPRIETARY TO MOLEX INCORPORATED AND SHOULD NOT BE USED WITHOUT WRITTEN PERMISSION																

9

8

7

6

5

4

3

2